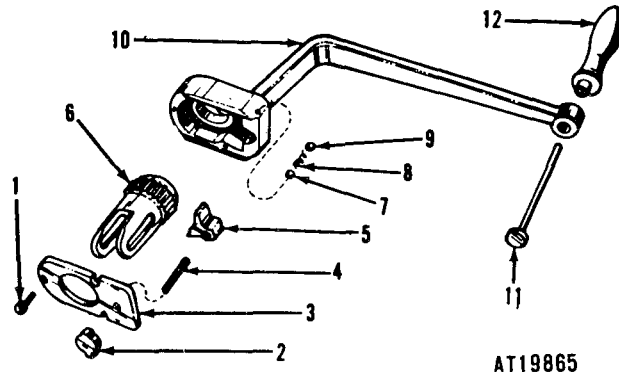


Current part is item (8) on diagram. Available at [www.oshkoshequipment.com](http://www.oshkoshequipment.com)

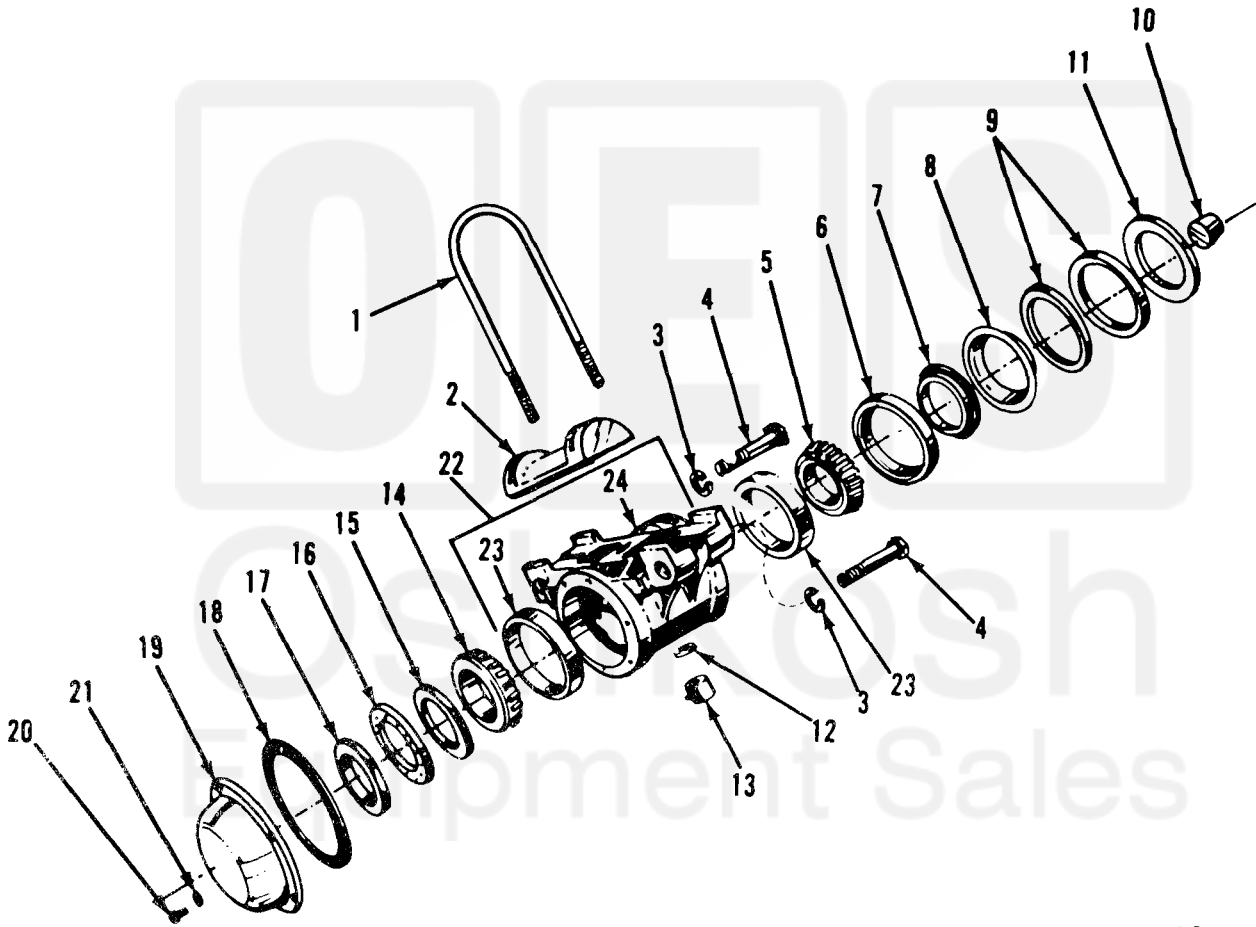
(1)	(2)	(3)	(4)	(5)	(6)				(7)			(8)			(9)	(10)	
SMR	FEDERAL	DESCRIPTION	UNIT	QTY	15-DAY ORGANIZATION				30-DAY DS			30-DAY GS			1-YR. ALW	ILLUSTRATION	
CODE	STOCK		OF	INC	MAINTENANCE				MAINTENANCE			MAINTENANCE			PER 100	(A)	(B)
	NUMBER		MEAS	IN	ALLOWANCE				ALLOWANCE			ALLOWANCE			EQUIP	(A)	(B)
		REFERENCE NUMBER & MFR CODE	USABLE ON CODE	UNIT	(A)	(B)	(C)	(D)	(A)	(B)	(C)	(A)	(B)	(C)	PLANNING	FIG	ITEM
					1-5	6-20	21-50	51-100	1-20	21-50	51-100	1-20	21-50	51-100	NO	NO	NO
PAOZZ	3110-151-9625	BALL BRG: 5/16 ID. (PAWL) 169110 (21450)	EA	1	*	*	*	*	*	*	*	*	*	*		34	9
PAOZZ	2530-040-2857	CASE, RATCHET 8376603 (19207)	EA	1	*	*	*	*	*	*	*	*	*	*		34	10
PAOZZ	5320-021-7282	RIVET, SOLID: 1/2 X 6 (CRANK HANDLE) 271282 (21450)	EA	1	*	*	*	*	*	*	*	*	*	*		34	11
XAOZZ		HANDLE 7014987 (19207)	EA	1												34	12
GROUP 16-SPRINGS																	
1601-SPRING SEAT AND BEARINGS																	
PAOZZ	5306-797-9365	BOLT, U: MAIN SPRING, 1-14NF-3, 2-3/32 INSIDE RADIUS, 12-3/8 LG 7979365 (19207)	EA	4	*	*	*	*	*	*	*	*	*	*		35	1
PAOZZ	2510-117-9286	SADDLE, SPRING 7979316 (19207)	EA	2	*	*	*	*	*	*	*	*	*	*		35	2
PAOZZ	5310-060-9435	WASHER, LOCK, SPLIT: 1-1/4 ID MS35338-55 (96906)	EA	4	*	*	*	*	*	*	*	*	*	*		35	3
PAOZZ	5306-740-9608	BOLT, MACH 7409608 (19207)	EA	4	*	*	*	*	*	*	*	*	*	*		35	4
PAOZZ	3110-198-1468	CONE, TAPERED ROLLER BRG: MIL-STD- CODE 711-00593-3011 (INCLUDES ROLLERS & CAGE), 3.5000 BORRE, 1.433 W (SPRING SEAT INNER) 712286 (21450)	EA	2	*	*	*	*	*	*	*	*	*	*		35	5
PAOZZ	2520-740-9550	SEAL, OIL: 4-3/4 ID, 6.627 OD, 1-9/64 THK, FLANGED 7409550 (19207)	EA	2	*	*	*	*	*	*	*	*	*	*		35	6
PAOZZ	2530-740-9553	RING, WIPER: OIL SEAL, 4.639 ID, 4-15 OD 7409553 (19207)	EA	2	*	*	*	*	*	*	*	*	*	*		35	7
PAOZZ	2510-740-9606	RETAINER: 4.665 ID, 6.580 OD, 0.0299 THK (FELT SEAL) 7409606 (19207)	EA	2	*	*	*	*	*	*	*	*	*	*		35	8
PAOZZ	5330-740-9312	SEAL, FELT: 6-1/16 ID, 6-5/8 OD, 3/16 THK 7409312 (19207)	EA	4	*	*	*	*	*	*	*	*	*	*		35	9
XBOZZ		PLUG: TAPERED, SOFT WOOD, 2-1/2 DIA, 2-9/32 DIA, 2 IN. LG (CROSS TUBE) 7979268 (19207)	EA	2												35	10
PAOZZ	5310-740-9615	WASHER, FLAT: 4-3/4ID, 6-1/2 OD, 0.0598 THK (FELT SEAL RET) 7409615 (19207)	EA	2	*	*	*	*	*	*	*	*	*	*		35	11
PAOZZ	5310-926-5885	WASHER, LOCK: 1 IN. ID MS35340-53 (96906)	EA	8	*	*	*	*	*	*	*	*	*	*		35	12

Current part is item (8) on diagram. Available at [www.oshkoshequipment.com](http://www.oshkoshequipment.com)



AT19865

Figure 34. Operating hand crank—exploded view. Available at [www.oshkoshequip.com](http://www.oshkoshequip.com)



AT19866

Figure 35. Spring seat and bearings—exploded view.